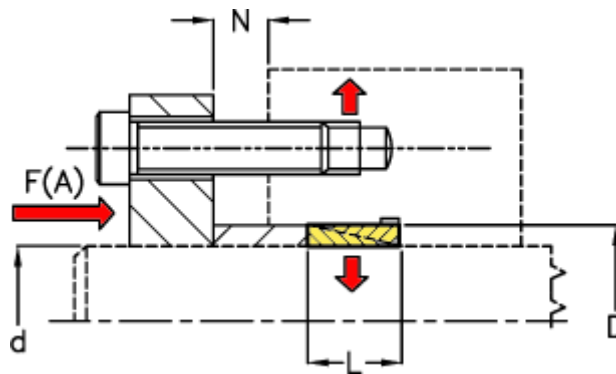


Article number: 433000170

Description: Rota-fix shaft-hub connection C 170x191

Note: Not self centering. Small radial dimensions

Measures



d mm = 170

D mm = 191

F(A) kN = 1180

Fit tolerance = Aksel \varnothing ? 38 h6, Aksel \varnothing > 38 h8, Nav \varnothing ? 38 H7, Nav > \varnothing 38 H8

F kN torque = 228.0

L = 33

N1 = 7

N2 = 8

N3

N4

P N/mm² surface press

Surface roughness

T N m torque